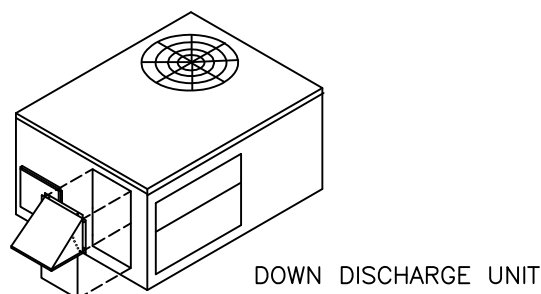
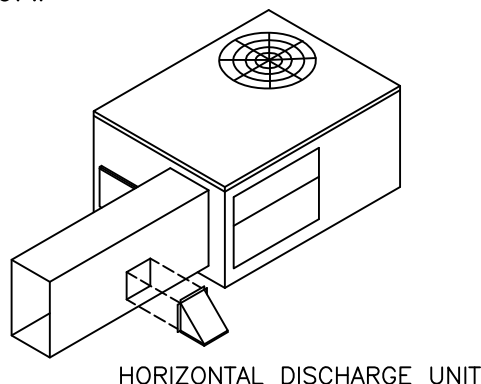
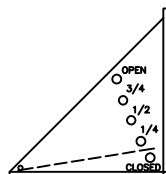
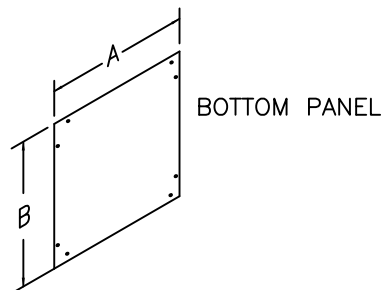
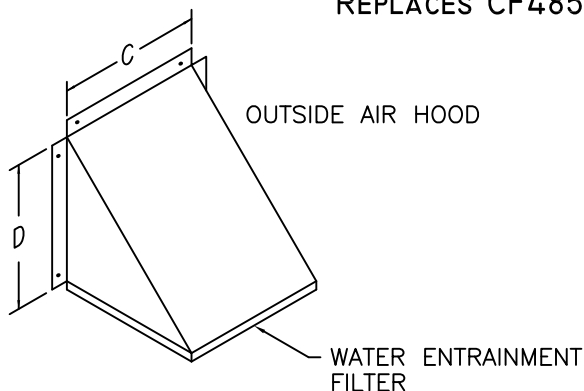


OUTSIDE AIR INTAKE HOOD

REPLACES CF4850HJ 04-070AI



FEATURES

- COLOR CO-ORDINATED PAINT FINISH.
- INSULATED BOTTOM PANEL.
- GASKET MATERIAL.
- FOR HORIZONTAL UNIT INSTALLATIONS THE HOOD ASSEMBLY MUST BE ATTACHED OVER AN OPENING IN THE SIDE RETURN AIR DUCT.
- WATER ENTRAINMENT FILTER.
- BAROMETRIC BACKDRAFT DAMPER OPENS WHEN FAN IS ENERGIZED.
- ALL SIZES OF OAI's ARE APPROXIMATELY 40%.

DOWN DISCHARGE APPLICATIONS

- 1 - REMOVE THE HORIZONTAL RETURN DUCT COVER PANEL ON THE UNIT.
- 2 - INSTALL THE GASKET MATERIAL PROVIDED TO THE BACK EDGES OF THE OUTSIDE AIR HOOD AND THE BOTTOM PANEL.
- 3 - INSTALL THE BOTTOM PANEL ON THE UNIT FIRST, THEN INSTALL THE OUTSIDE AIR HOOD ABOVE THE PANEL USING THE SCREWS THAT ARE PROVIDED WITH THE HORIZONTAL DUCT COVER PANEL ON THE UNIT. THE HOLES ON THE OUTSIDE AIR HOOD AND BOTTOM PANEL WILL MATCH THE EXISTING HOLES ON THE UNIT.
- 4 - FASTEN THE OUTSIDE AIR HOOD TO THE BOTTOM PANEL WHERE THEY OVERLAP. USE THE 2- #10x1/2" TEK SCREWS PROVIDED.
- 5 - CAULK THE TOP CORNERS OF THE OUTSIDE AIR HOOD TO ASSURE A GOOD SEAL.
- 6 - BAROMETRIC BACKDRAFT DAMPER OPENS WHEN FAN IS ENERGIZED.

HORIZONTAL DISCHARGE APPLICATIONS

- 1 - CUT DESIRED OPENING IN THE RETURN DUCT, INSTALL OUTSIDE AIR HOOD ONLY, DISCARD BOTTOM PANEL.
- 2 - ON MANUAL HOOD, ADJUST TO DESIRED OPENING AS DETAILED.

UNIT SIZE	WATER ENTRAINMENT FILTER
04-07 OAI	10.875x12.5x.5

SELECT PRODUCT

CANFAB PART #	A	B	C	D
1205-OA	11.875	11.25	10.75	15

DOC: 01-01

PROJECT:

DATE:

ENGINEER:

DISTRIBUTOR:

DRAWING NUMBER: