



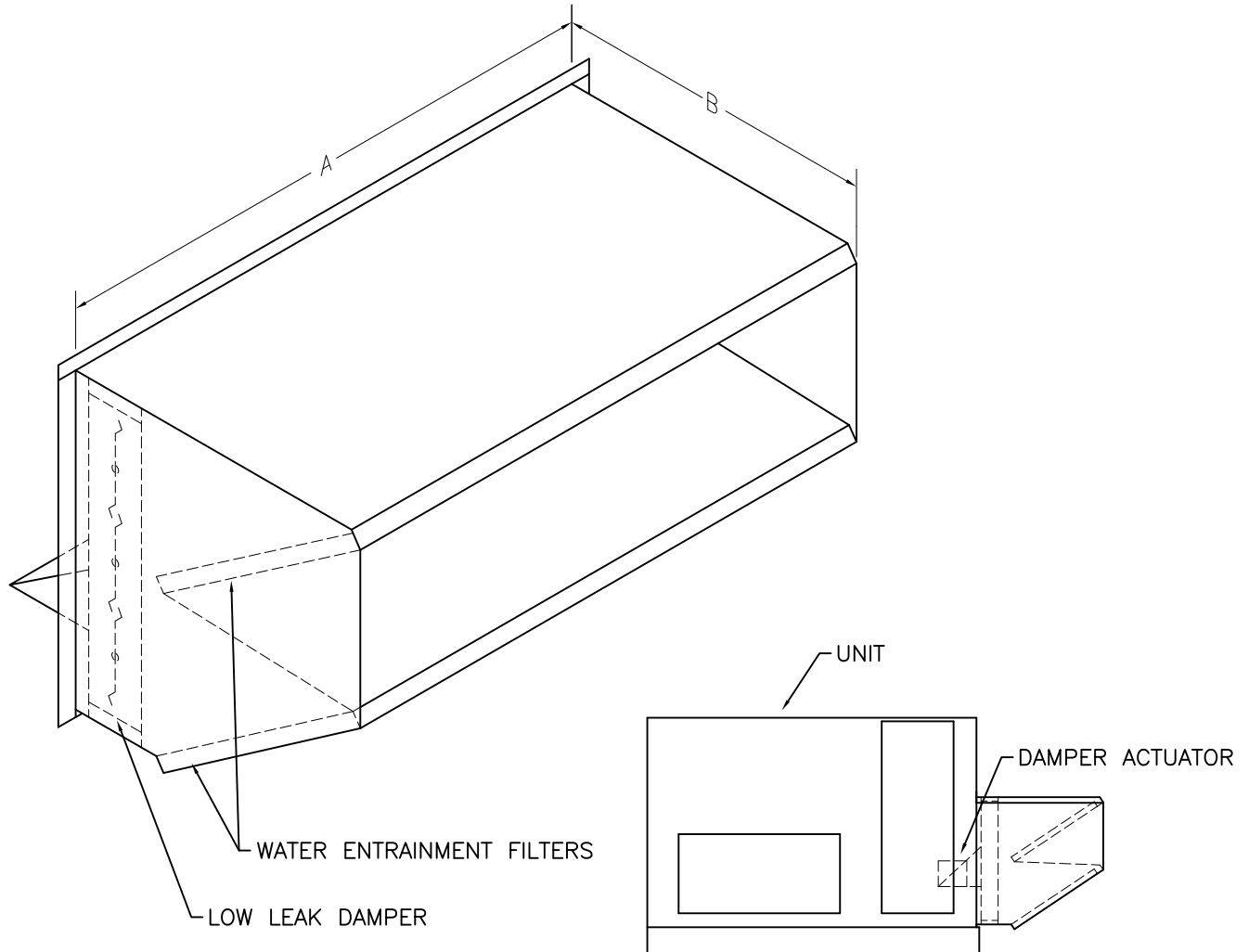
182 GRANITE STREET, SUITE 101, CORONA, CA 92879

PHONE: (951)278-1830 FAX: (951)278-8444 www.canfab.com canfab@canfab.com

BRYANT 3 - 6 1/2 TON 548F 36-72, 548J 04A-07A 549C 24-60, 549J 04A-06A, 551B 36-72, 551C 24-60, 551J 04A-06A, 558F 036-73, 558J 04A-07A, 580D 36-72, 580F 36-73, 580J 04A-07A, 581B 36-72, 581C 24-60, 581J 04A-06A, 559J 04-06, 582J 04-06

PART NO: SEE BELOW

100% OUTSIDE AIR HOOD REPLACES I487-A



FEATURES

- 100% OUTSIDE AIR INTAKE HOOD WITH WATER ENTRAINMENT FILTERS.
- MOTORIZED LOW LEAK DAMPER WITH TWO POSITION 24 VOLT ACTUATOR.
- PAINTED AMERICAN STERLING GREY AND SHIPPED FULLY ASSEMBLED.
- USES THE HVAC UNITS EXISTING FILTER ACCESS DOOR.

SELECT PRODUCT

CANFAB PART #	A	B	WIEGHT
1205-100	30.5625	20.75	55 LBS.

DOC: 01-03

PROJECT:

DATE:

ENGINEER:

DISTRIBUTOR:

DRAWING NUMBER: