



182 GRANITE STREET, SUITE 101, CORONA, CA 92879

PHONE: (951)278-1830 FAX: (951)278-8444 www.canfab.com canfab@canfab.com

FOR: GROUP A ISO

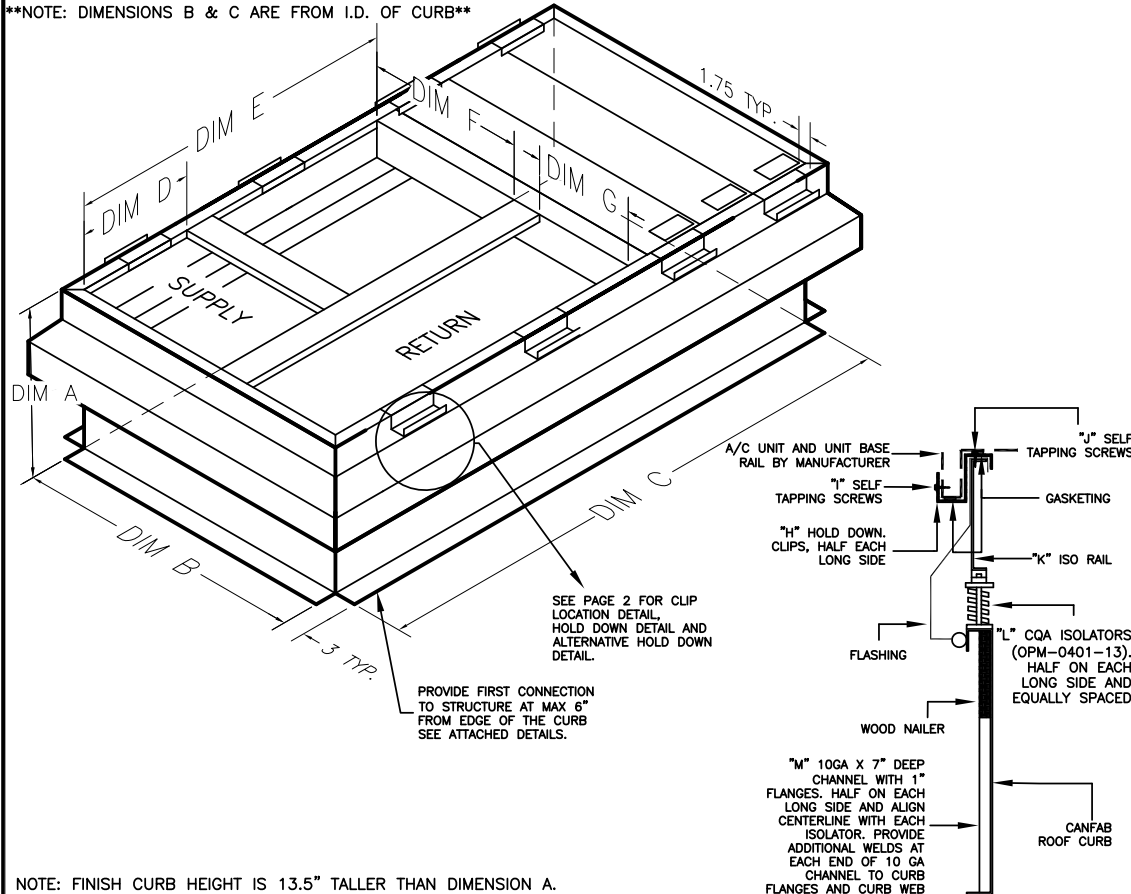
BRYANT 3 - 6 1/2 TON

548F 36-72, 548J 04A-07A 549C 24-60, 549J 04A-06A, 551B 36-72, 551C 24-60, 551J 04A-06A, 558F 036-73, 558J 04A-07A, 580D 36-72, 580F 36-73, 580J 04A-07A, 581B 36-72, 581C 24-60, 581J 04A-06A, 559J 04-06, 582J 04-06

PART NO: 1006-IC

DIM A	DIM B	DIM C	DIM D	DIM E	DIM F	DIM G	DIM H
VARIES MAX 36" SEE TABLE 3	37.1875"	67.375"	14.1875"	32.1875"	20.25"	13.875"	N/A

\*\*NOTE: DIMENSIONS B & C ARE FROM I.D. OF CURB\*\*



ALL WORK SHALL CONFORM TO THE STANDARD OF 2018 INTERNATIONAL BUILDING CODE & 2019 CALIFORNIA BUILDING CODE.

**SEISMIC DESIGN CRITERIA**

-SDS = 1.5      ap = 2.5  
-I = 1.5         Rp = 2.0

**WIND DESIGN CRITERIA**

-MAX 60 FT TALL BUILDING  
-EXPOSURE C  
-175 MPH, 3 SECOND GUST WIND

**NOTE:**

INSTALLER TO VERIFY WITH A LICENSED STRUCTURAL ENGINEER IN THE CORRESPONDING STATE THE ADEQUACY OF THE STRUCTURE FOR LOADS IMPOSED BY THE UNIT AND THE CURB IN ADDITION TO ALL OTHER LOADS.  
-INSTALLER TO VERIFY WITH A LICENSED STRUCTURAL ENGINEER IN THE CORRESPONDING STATE THAT THE SEISMIC AND WIND DESIGN CRITERIA NOTED ON THIS DRAWING ARE ADEQUATE FOR THE SITE SPECIFIC VALUES. OTHERWISE, CONTACT CANNON FABRICATION FOR A SITE SPECIFIC ANALYSIS AND DRAWINGS.

**CURB CONSTRUCTION**

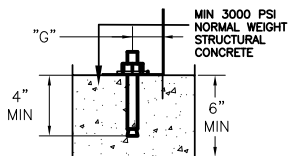
- 1) WELDED
  - 2) BOLTED
  - 3) FINGERLOCK
- ALL WELDING CONSTRUCTION CERTIFIED TO ANSI/AWS D1.3 STRUCTURAL WELDING CODE-SHEET METAL  
-SELF-DRILLING SCREW SHALL MEET ASTM C1513 SPECIFICATION AND INSTALLED PER AISI-S100  
-NO GAP IS ALLOWED BETWEEN TWO METAL SHEET SURFACES WHERE SHEET METAL SCREW IS CONNECTED

**CURB AND UNIT INFORMATION**

- "A" GAUGE GALVANIZED STEEL CURB  
-SEE TABLE 3 FOR ALLOWABLE CURB AND UNIT DIMENSIONAL AND WEIGHT  
-SEE TABLE 4 FOR TABULATED CURB AND ANCHORAGE INFORMATION PER VARYING CURB HEIGHT  
-ALPHA DESIGNATIONS "A" THRU "M", CAN BE FOUND ON TABLE 4, PAGE 3

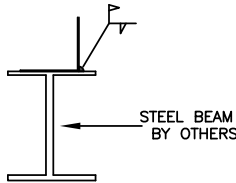
NOTE: FINISH CURB HEIGHT IS 13.5" TALLER THAN DIMENSION A.

**ATTACHMENT TO STRUCTURAL CONCRETE**



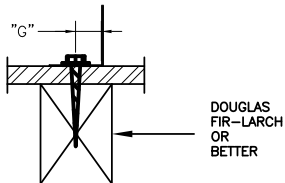
"B" 5/8" HILTI KWIK BOLT TZ SS 304, HALF EACH LONG SIDE.  
"C" 5/8" HILTI KWIK BOLT TZ SS 304, HALF EACH SHORT SIDE.  
NOTE:  
-MIN 5" AWAY FROM THE NEAREST CONCRETE EDGE (INSTALL PER ICC-ES ESR-1917).  
-STRUCTURALLY ACCEPTABLE TO SUBSTITUTE HILTI KBTZ STAINLESS STEEL BOLTS WITH HILTI KBTZ CARBON STEEL BOLTS ONLY IF ALL THE BOLTS ARE COMPLETELY WATERPROOFED AND PROTECTED AGAINST THE WEATHER.  
-BOLTS SHALL BE EQUALLY SPACED

**ATTACHMENT TO STRUCTURAL STEEL**



1/8" FILLET WELD, 2" LONG, "D" ON CENTER.  
NOTE:  
-PROVIDE MIN 2 CONNECTIONS WHERE THE CURB SIDE IS SHORTER THAN THE WELD SPACING.  
-PROVIDE WELDS ON ALL SIDES

**ATTACHMENT TO WOOD**



"E" 3/8"x4" LAG SCREWS, HALF EACH LONG SIDE.  
"F" 3/8"x4" LAG SCREWS, HALF EACH SHORT SIDE.  
NOTE:  
-SCREWS SHALL BE EQUALLY SPACED.

**STRUCTURAL REVIEW BY:**

**MARTIN & associates**  
JOHN A. MARTIN AND ASSOCIATES  
Structural Engineers  
950 South Grand Ave., 4th Floor  
Los Angeles, California 90015  
Phone (213) 483 6490  
Fax (213) 483 3084  
Job No.: 19022



3/22/2019

PROJECT: IBC 2018 UPDATE/ CBC 2019 UPDATE

DATE: 3.12.19

ENGINEER: LD

DISTRIBUTOR:

DRAWING NUMBER: GROUP\_A\_ISO.DWG

PAGE 1 OF 3



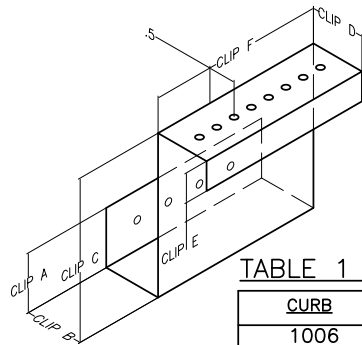
182 GRANITE STREET, SUITE 101, CORONA, CA 92879

PHONE: (951)278-1830 FAX: (951)278-8444 www.canfab.com canfab@canfab.com

FOR: GROUP A ISO

PART NO: SEE BELOW

### HOLD DOWN DETAIL



**NOTE:**  
SEE TABLE 1 FOR DESIGNATED HOLD DOWN CLIP PER CURB

TABLE 1 HOLD DOWN CLIP PER CURB

CURB	CLIP	GAUGE	CLIP A [IN]	CLIP B [IN]	CLIP C [IN]	CLIP D [IN]	CLIP E [IN]	CLIP F [IN]
1006 1006-XIC 6060	1909-SHD8-12	12 GA	1.5	2.625	4.5625	1.875	1.0	9.0
3004	3901-SHD8-12	12 GA	1.0	4.81	3.875	2.125	1.0	9.0
4028	4901-SHD8-12	12 GA	2.0	3.0625	4.625	1.875	1.0	9.0
6038	6907-SHD8-12	12 GA	2.0	2.0	3.25	1.875	1.0	9.0

STRUCTURAL REVIEW BY:  
**MARTIN & associates**  
JOHN A. MARTIN AND ASSOCIATES  
Structural Engineers  
950 South Grand Ave., 4th Floor  
Los Angeles, California 90015  
Phone (213) 483 6490  
Fax (213) 483 3084  
Job No.: 19022

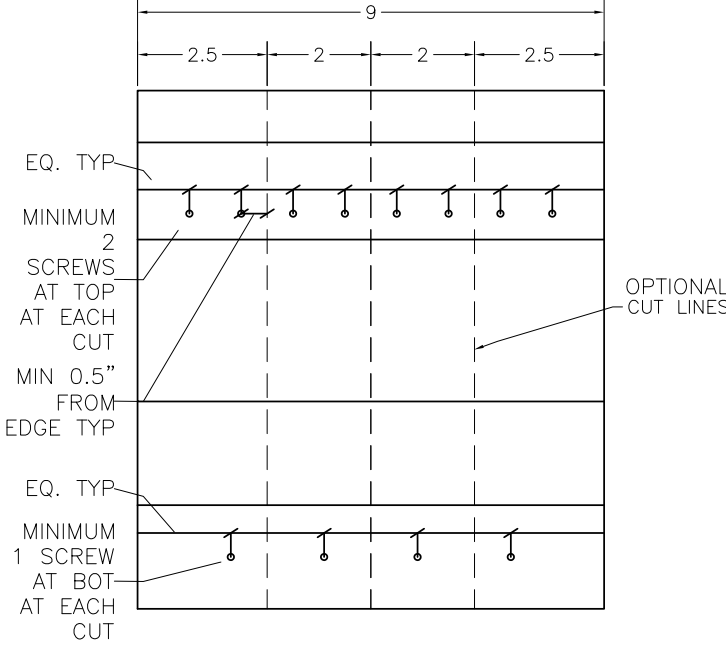


3/22/2019

### ALTERNATIVE HOLD DOWN DETAIL

**NOTE:**  
APPLICABLE ONLY FOR 9" LONG HOLD DOWN WITH (8) SCREWS AT TOP AND (4) SCREWS AT BOT EQUALLY SPACED

1. INFORMATION SHOWN ON THE STAMPED CANFAB CURB DRAWING IS THE MINIMUM REQUIREMENTS FOR THE CURB CONSTRUCTION AND INSTALLATION. NO STRUCTURAL OBJECTION TO THE USE OF LARGER SIZE SCREWS AND THICKER GAUGE SHEET METAL THAN THE INFORMATION SHOWN ON THE STAMPED CANFAB CURB DRAWING.
2. NO STRUCTURAL OBJECTION TO SHIFTING THE ATTACHMENT CLIPS ALONG THE CURB. FIRST AND LAST CLIP IN THE SERIES OF CLIPS SHALL BE LOCATED PER CLIP LOCATION DETAIL PER STAMPED CANFAB CURB DRAWING. DISTANCE SHIFTED SHALL NOT BE LARGER THAN THE LENGTH OF THE CLIP.
3. NO STRUCTURAL OBJECTION TO CUTTING THE ATTACHMENT CLIPS PER REQUIREMENTS AS SHOWN ON BELOW SKETCH.



### CLIP LOCATION DETAIL

**NOTE:**  
SEE TABLE 2 FOR CLIP LOCATION

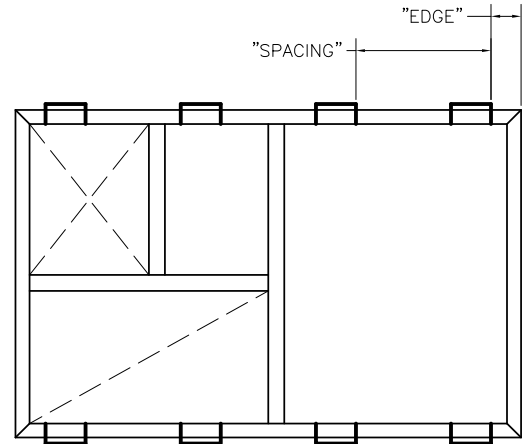


TABLE 2 CLIP LOCATION

CURB	EDGE [IN]	SPACING [IN]
1006, 1006-XIC, 6060	7.75	15.46
3004	7.75	19.00
4028	7.75	18.33
6038	7.75	16.58

PROJECT: IBC 2018 UPDATE/ CBC 2019 UPDATE

DATE: 3.12.19

ENGINEER: LD

DISTRIBUTOR:

DRAWING NUMBER: GROUP\_A\_ISO.DWG

PAGE 2 OF 3



182 GRANITE STREET, SUITE 101, CORONA, CA 92879

PHONE: (951)278-1830 FAX: (951)278-8444 www.canfab.com canfab@canfab.com

FOR: GROUP A ISO

PART NO: SEE BELOW

### TABLE 3 ALLOWABLE CURB AND UNIT DIMENSION AND WEIGHT

RELATED CURBS	LCURB [IN]	WCURB [IN]	HCURB [IN]	WTCURB [LBS]	LUNIT [IN]	WUNIT [IN]	HUNIT [IN]	WTUNIT [LBS]	CG LONG [IN]	CG SHORT [IN]	CG HEIGHT [IN]
1006 1006-XIC	SEE PAGE 1	SEE PAGE 1	MIN 8	MIN 298,301	74.375	46.75	41.375	MAX 900 FOR 1006 MAX 1100 FOR 1006-XIC	34.625	22.5	20.25
			11	321, 324							
			14	343, 346							
			18	372, 375							
			24	479, 482							
MAX 36	MAX 592,595										
3004	SEE PAGE 1	SEE PAGE 1	MIN 8	MIN 266	82.25	44.875	32.625	MAX 900	38.6	18.75	HUNIT/2
			11	294							
			14	322							
			18	358							
			24	469							
MAX 36	MAX 604										
4028	SEE PAGE 1	SEE PAGE 1	MIN 8	MIN 352	83.25	45	43.375	MAX 1316	47	22	HUNIT/2
			11	381							
			14	408							
			18	445							
			24	551							
MAX 36	MAX 706										
6038	SEE PAGE 1	SEE PAGE 1	MIN 8	MIN 292	69.875	44.25	40.875	MAX 1202	44	22	HUNIT/2
			11	314							
			14	341							
			18	375							
			24	488							
MAX 36	MAX 614										
6060	SEE PAGE 1	SEE PAGE 1	MIN 8	MIN 300	76.841	47.934	42.004	MAX 869	42	29	HUNIT/2
			11	323							
			14	345							
			18	375							
			24	482							
MAX 36	MAX 596										

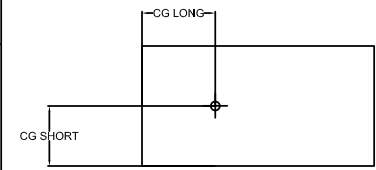
STRUCTURAL REVIEW BY:



JOHN A. MARTIN AND ASSOCIATES  
Structural Engineers  
950 South Grand Ave., 4th Floor  
Los Angeles, California 90015  
Phone (213) 483 6490  
Fax (213) 483 3084  
Job No.: 19022



3/22/2019



### TABLE 4 TABULATED CURB AND ANCHORAGE INFORMATION PER VARYING HEIGHT

		0 < H ≤ 18"	18" < H ≤ 22"	22" < H ≤ 30"	30" < H ≤ 36"
A	CURB THICKNESS	14 GA	14 GA	12 GA	12 GA
B	EXP. ANCHOR	6	6	8	8
C	EXP. ANCHOR	4	4	6	6
D	WELD	24"	24"	24"	18"
E	SCREWS	24	26	28	32
F	SCREWS	12	14	14	14
G	DISTANCE	MAX 0.75"	MAX 0.75"	MAX 0.75"	MAX 0.75"
H	NO. OF CLIPS	8	8	8	8
I	CLIP SMS	(4) #14	(4) #14	(4) #14	(4) #14
J	CLIP SMS	(8) #14	(8) #14	(8) #14	(8) #14
K	ISO RAIL	10 GA 7.5" DEEP X 1" FLANGES			
L	NO. OF ISOLATORS	6 FOR 1006, 3004 AND 6060, 7 FOR 1006 XIC, 8 FOR 4028 AND 6038			
M	NO. OF STIFFENERS	6 FOR 1006, 3004 AND 6060, 7 FOR 1006 XIC, 8 FOR 4028 AND 6038			

PROJECT: IBC 2018 UPDATE/ CBC 2019 UPDATE

DATE: 3.12.19

ENGINEER: LD

DISTRIBUTOR:

DRAWING NUMBER: GROUP\_A\_ISO.DWG

PAGE 3 OF 3



CANNON FABRICATION INC

182 GRANITE STREET, SUITE 101, CORONA, CA 92879

PHONE: (951)278-1830 FAX: (951)278-8444 www.canfab.com canfab@canfab.com

FOR:

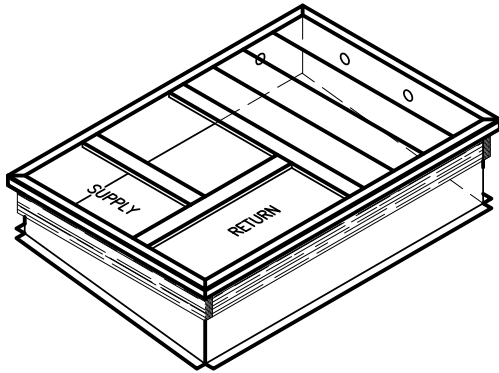
PART NO:

# PITCHED ROOF CURB

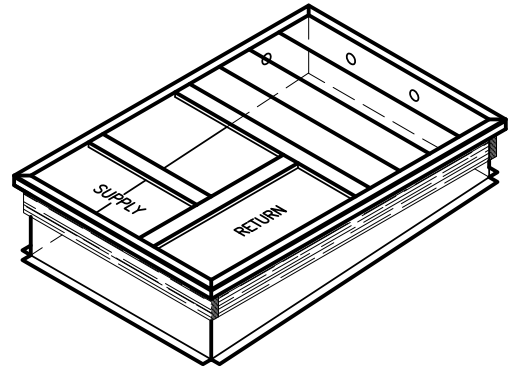
DRAWING MUST ACCOMPANY ALL PITCHED CURB ORDERS

APPLIES TO STANDARD AND ISOLATION CURBS

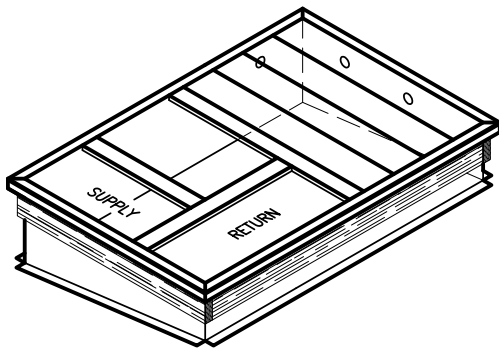
(A)



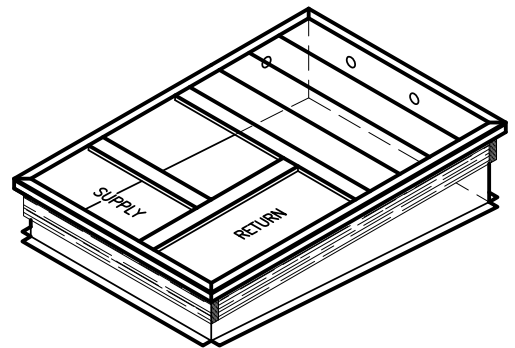
(B)



(C)



(D)



\_\_\_\_\_ ON 12"

(CIRCLE A, B, C OR D TO SPECIFY DUCT PLACEMENT)

PROJECT:

DATE: 01.08.19

ENGINEER:

DISTRIBUTOR:

DRAWING NUMBER: