



182 GRANITE STREET, SUITE 101, CORONA, CA 92879

PHONE: (951)278-1830 FAX: (951)278-8444 www.canfab.com canfab@canfab.com

BRYANT 3 - 6 1/2 TON 548F 36-72, 548J 04A-07A 549C 24-60, 549J 04A-06A, 551B 36-72, 551C 24-60, 551J 04A-06A, 558F 036-73, 558J 04A-07A, 580D 36-72, 580F 36-73, 580J 04A-07A, 581B 36-72, 581C 24-60, 581J 04A-06A, 559J 04-06, 582J 04-06

PART NO: SEE BELOW

VIBRATION ISOLATION ADAPTOR FOR USE WITH STANDARD CURB

REPLACES 1484-IC*

SELECT PRODUCT

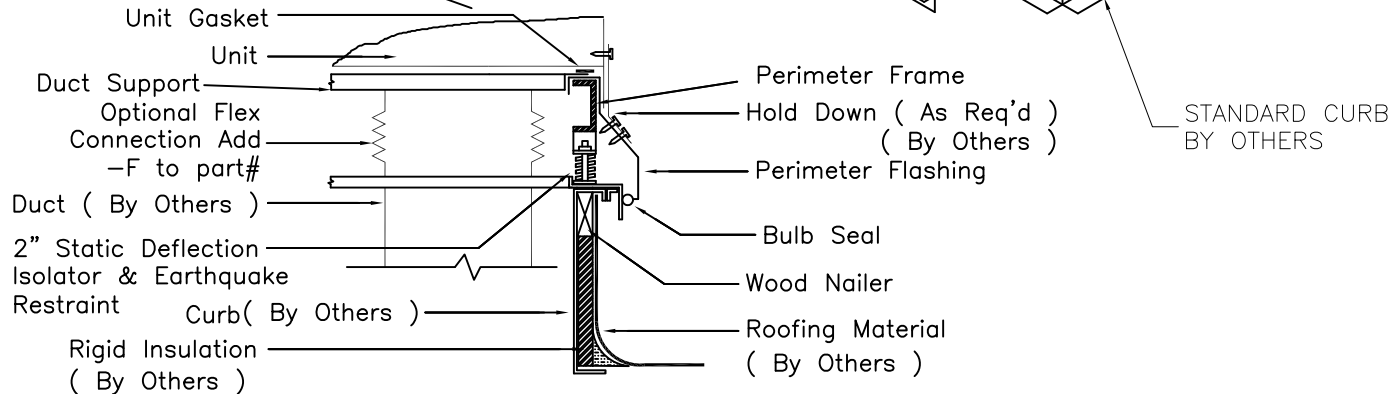
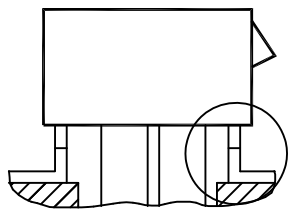
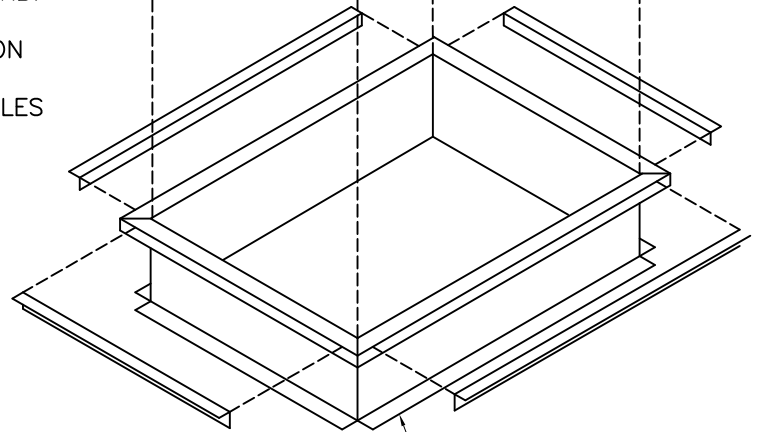
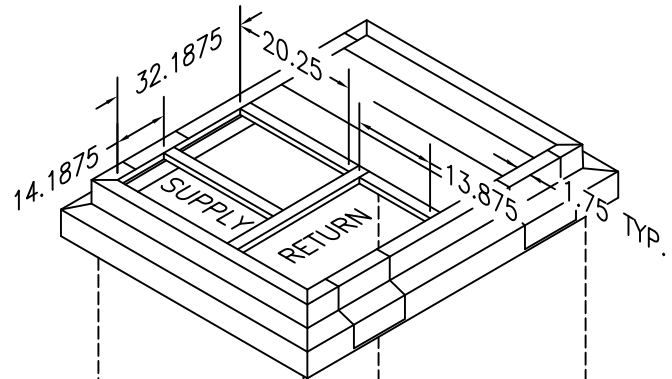
MODEL	PART #	APPROX. SHIPPING WEIGHT
STANDARD ISOLATION ADAPTOR	1006-AIC	170 LBS.
POWER EXHAUST ISOLATION ADAPTOR	1006-AXIC	175 LBS.

FEATURES

- USE 1006-AXIC FOR UNITS WITH CENTRIFUGAL BLOWER POWER EXHAUST. ALL OTHERS USE 1006-AIC.
- SHIPPED FULLY ASSEMBLED.
- FULL PERIMETER ADAPTOR, WOOD NAILER, RAIL, FLASHING, WATER AND AIR BARRIER.
- SPRING ISOLATION WITH 2" STATIC DEFLECTION AND EARTHQUAKE RESTRAINTS (OSHPD APPROVED).
- WEATHER TIGHT ACCESS DOORS AT EACH ISOLATOR LOCATION FOR ADJUSTMENT.
- OPTIONAL FLEX DUCT CONNECTIONS AVAILABLE ADD "F" TO THE END OF PART NUMBER.
- ADDITIONAL ISOLATOR FOR POWER EXHAUST APPLICATION INCLUDED ON 1006-XIC ONLY.
- TOTAL HEIGHT IS 12.5", INCLUDES ADAPTOR, ISOLATOR & RAIL.

INSTALLATION

- 1 - ATTACH ANGLES AROUND PERIMETER FLUSH WITH TOP OF CURB. SECURE WITH #10X.75 TEK SCREWS, PROVIDED, ON APPROXIMATELY 12" CENTERS.
- 2 - INSTALL GASKET PROVIDED WITH THE EXISTING CURB.
- 3 - PLACE ADAPTOR ON TOP OF EXISTING CURB.
- 4 - SECURE WITH #10X.75 TEK SCREWS, PROVIDED, ON APPROXIMATELY 12" CENTERS AVOIDING ISOLATOR POSITIONS, UP FROM BOTTOM THROUGH NEW ANGLES INTO ADAPTOR.
- 5 - INSTALL GASKET PROVIDED ON TOP OF ADAPTOR.
- 6 - SET UNIT AND ANCHOR PER JOB REQUIREMENTS.



PROJECT:

DATE:

ENGINEER:

DISTRIBUTOR:

DRAWING NUMBER: