



182 GRANITE STREET, SUITE 101, CORONA, CA 92879

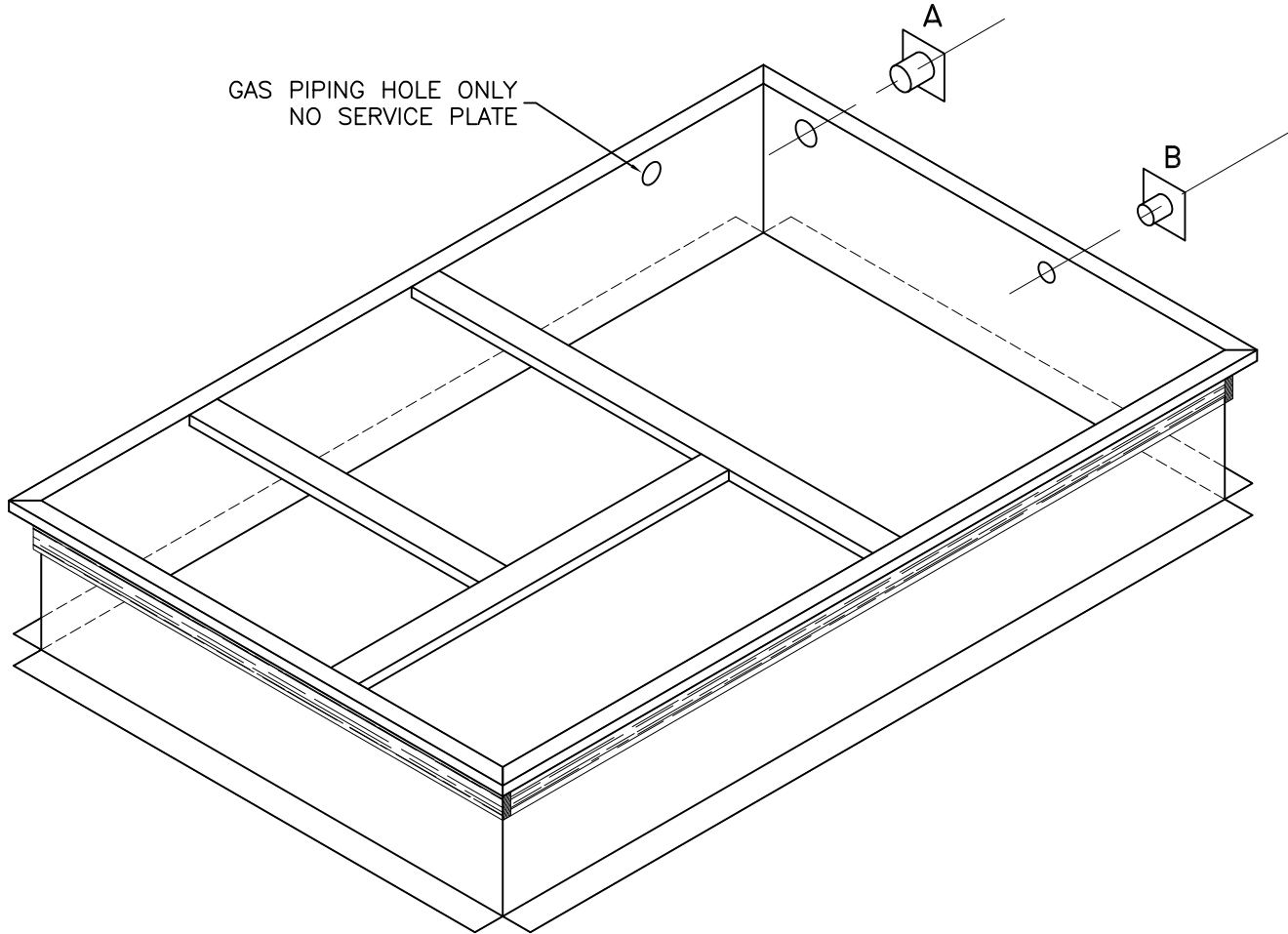
PHONE: (951)278-1830 FAX: (951)278-8444 www.canfab.com canfab@canfab.com

BRYANT 3 - 6 1/2 TON 548F 36-72, 548J 04A-07A 549C 24-60, 549J 04A-06A, 551B 36-72, 551C 24-60, 551J 04A-06A, 558F 036-73, 558J 04A-07A, 580D 36-72, 580F 36-73, 580J 04A-07A, 581B 36-72, 581C 24-60, 581J 04A-06A, 559J 04-06, 582J 04-06

PART NO: SEE BELOW

ROOF CURB SERVICE PLATE CONNECTIONS

REPLACES CF*****SPC



SELECT PRODUCT

	A	B	PART NUMBER
<input type="checkbox"/>	3/4" FPT	3/4" FPT	1005-SPC

FEATURES

- USED FOR POWER AND CONTROL WIRING TO REDUCE THE NUMBER OF ROOF PENETRATIONS NEAR THE CURB.
- INSTALL BEFORE CURB IS FLASHED. USE SCREWS, FIELD PROVIDED, TO ATTACH TO WOOD NAILER.
- CONNECT CONDUIT TO INSIDE OF CURB BEFORE UNIT IS SET.
- AFTER UNIT IS SET COMPLETE CONDUIT THRU UNIT BASE RAIL TO SERVICE ENTRY KNOCK OUTS. SEE CARRIER UNIT LITERATURE.
- HOLE PROVIDED FOR GAS PIPING. SERVICE PLATE, PIPING AND COUPLINGS FOR GAS PIPING BY OTHERS.

PROJECT:

DATE:

ENGINEER:

DISTRIBUTOR:

DRAWING NUMBER: