



182 GRANITE STREET, SUITE 101, CORONA, CA 92879

PHONE: (951)278-1830 FAX: (951)278-8444 www.canfab.com canfab@canfab.com

BRYANT 3 - 6 1/2 TON 548F 36-72, 548J 04A-07A 549C 24-60, 549J 04A-06A, 551B 36-72, 551C 24-60, 551J 04A-06A, 558F 036-73, 558J 04A-07A, 580D 36-72, 580F 36-73, 580J 04A-07A, 581B 36-72, 581C 24-60, 581J 04A-06A, 559J 04-06, 582J 04-06

PART NO: SEE BELOW

ROOF CURB

REPLACES CF4850DJ036-72CRB

SELECT PRODUCT	CANFAB PART#	"A" HEIGHT	APPROXIMATE SHIPPING WEIGHT
<input type="checkbox"/>	1005-CB08A	8"	121
<input type="checkbox"/>	1005-CB11A	11"	130
<input type="checkbox"/>	1005-CB14A	14"	139
<input type="checkbox"/>	1005-CB18A	18"	151
<input type="checkbox"/>	1005-CB24A	24"	169
<input type="checkbox"/>	1005-CB36A	36"	205

FEATURES

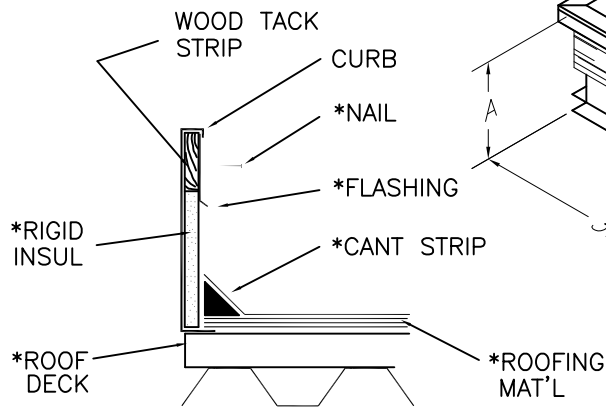
- ROOF CURB IS HEAVY GA. GALVANIZED STEEL.
- FULL PERIMETER WOOD NAILER PROVIDED.
- GASKET MATERIAL & ASSEMBLY HARDWARE PROVIDED.
- TOP CORNER ARE MITRED.
- CURBS ARE SHIPPED KNOCKED DOWN.
- OTHER AVAILABLE OPTIONS INCLUDE SINGLE PITCH, COMPOUND PITCH, ADJUSTABLE PITCH AND CONSTRUCTION FOR STANDING SEAM ROOFS.

SELECT CONSTRUCTION

- A=STANDARD BOLT TOGETHER CONSTRUCTION (SHOWN ABOVE).
- E=STANDARD BOLT TOGETHER CONSTRUCTION EXTERNALLY INSULATED.
- F=FINGERLOCK CONSTRUCTION HEAVY GA. GALVANIZED STEEL (ONLY AVAILABLE ON 11" AND 14" MODELS).
- G=FINGERLOCK CONSTRUCTION EXTERNALLY INSULATED HEAVY GAUGE GALVANIZED STEEL (ONLY AVAILABLE ON 11" AND 14" MODELS).
- C=CUSTOM CONSTRUCTION.
- W=WELDED CONSTRUCTION OF CURB PERIMETER.

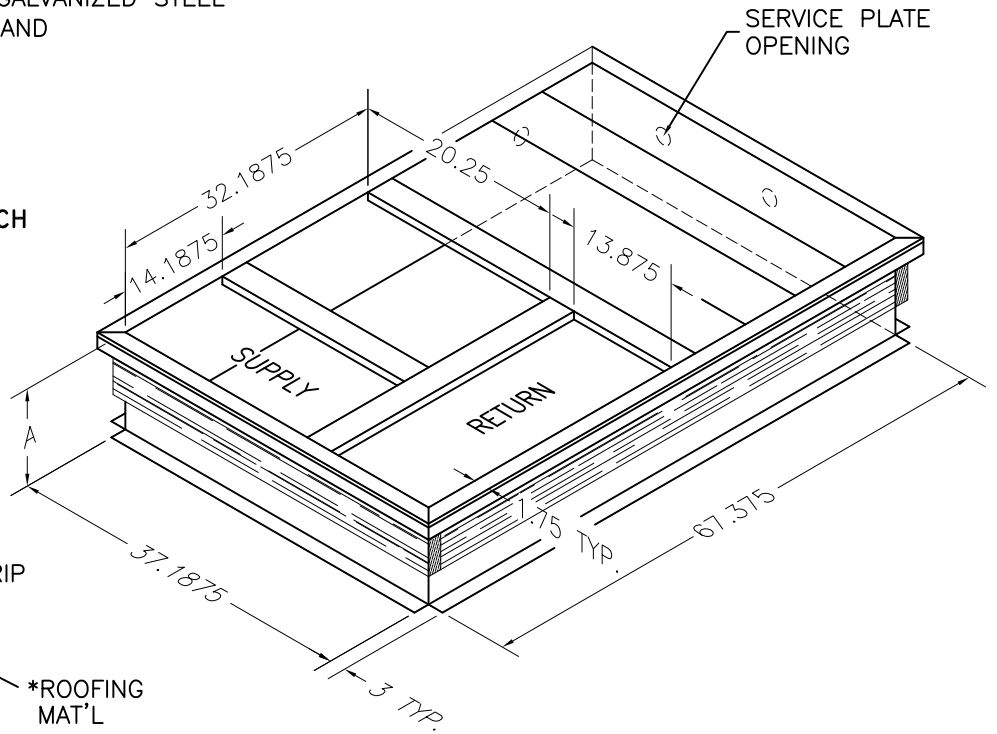
SELECT IF PITCHED(INCLUDE PITCH ORIENTATION FORM)

- PITCHED 1005-CB##*P



ROOFING DETAIL

*FIELD SUPPLIED



SERVICE PLATE OPENING

PROJECT:

DATE:

ENGINEER:

DISTRIBUTOR:

DRAWING NUMBER: