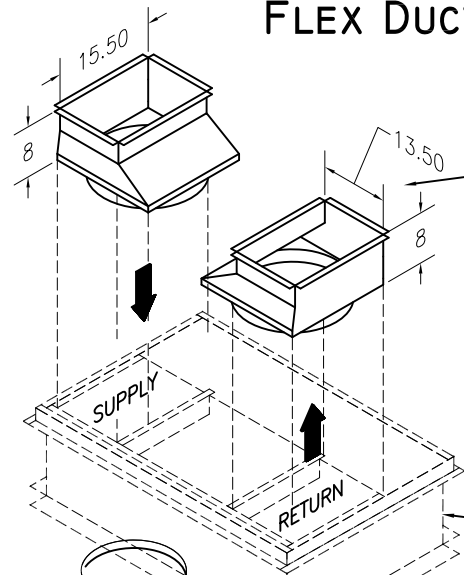


# FLEX DUCT / HARD DUCT CONCENTRIC DIFFUSER ACCESSORIES

## 3-5 Ton Unit : 1200-2000 CFM

16"x16" DUCT CONNECTION.  
DUCT WORK FIELD PROVIDED.



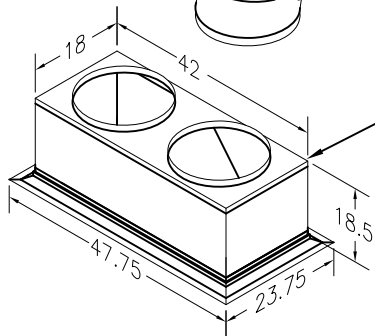
FLEX DUCT ADAPTOR:  
PART# 1303-FA  
APPROX. WEIGHT 35lbs.

CANFAB'S FLEX DUCT ADAPTOR AND ADAPTOR KITS CONVERT THE SIDE BY SIDE UNIT TO CONCENTRIC APPLICATION. EACH PIECE IS CONSTRUCTED OF HEAVY GAUGE GALVANIZED STEEL. THE ADAPTOR IS INTERNALLY INSULATED WITH 1" - 1.5 LB FIBERGLASS INSULATION AND SHIPPED FULLY ASSEMBLED.

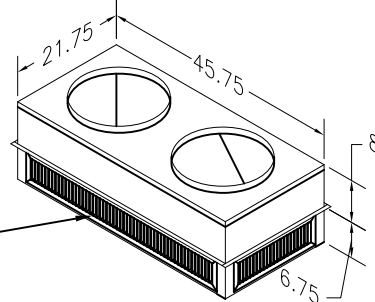
ROOF CURB:  
1003A-CB\*\*  
(SEE CURB DWG.)  
NOT INCLUDED IN FULL PACKAGE

FLEX DUCT KIT:  
(2) 16" x 48"  
PART# 8300-FD162  
APPRX. WEIGHT 15lbs.

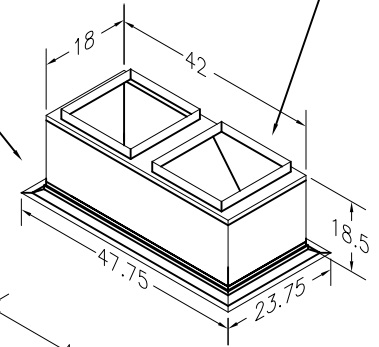
FLUSH MOUNT  
CONCENTRIC DIFFUSER:  
PART# 8303-CO  
APPROX. WEIGHT 58lbs.



DROP CONCENTRIC  
DIFFUSER:  
PART# 8304-CO  
APPROX. WEIGHT 67lbs.

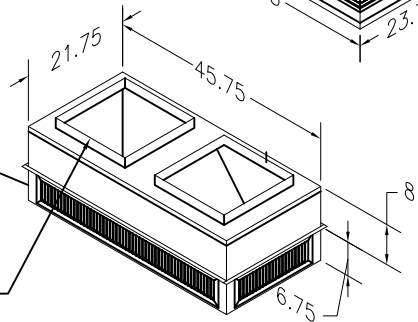


FLUSH MOUNT  
CONCENTRIC DIFFUSER:  
PART# 8303-CO-R  
APPROX. WEIGHT 58lbs.



DROP CONCENTRIC DIFFUSER:  
PART# 8304-CO-R  
APPROX. WEIGHT 67lbs.

16"x16" DUCT CONNECTION.  
DUCT WORK FIELD PROVIDED.



CONCENTRIC TYPE	FULL PACKAGE	DIFFUSER GRILLE	CONCENTRIC ADAPTOR	DUCT KIT	
FLUSH MOUNT	1303F-FDPKG	8303-CO	1303-FA	8300-FD162	
DROP MOUNT	1303D-FDPKG	8304-CO			
CANFAB PART#	CFM	MIN. THROW (ft)	MAX. THROW (ft)	STATIC PRESSURE DROP	NOISE RATING (db)
8303-CO 8303-CO-R FLUSH MOUNT DIFFUSERS	1200	12	16	.26	25
	1400	15	20	.34	30
	1600	17	23	.42	30
	2000	22	29	.62	40
CANFAB PART#	CFM	MIN. THROW (ft)	MAX. THROW (ft)	STATIC PRESSURE DROP	NOISE RATING (db)
8304-CO 8304-CO-R DROP DIFFUSERS	1200	10	24	.12	15
	1400	12	26	.16	19
	1600	13	28	.21	21
	2000	17	32	.33	30



182 GRANITE STREET, SUITE 101, CORONA, CA 92879

PHONE: (951)278-1830 FAX: (951)278-8444 www.canfab.com canfab@canfab.com

CARRIER 3 - 5 TON- 48/50 ES, EZ, 48/50 VL-A 42-60, 48/50 VT, VG, 48/50 VR, XL, XT-A 36-60

PART NO: SEE ABOVE

PROJECT

DRAWING NO:

DATE:

APPROVED BY:

DATE: / /