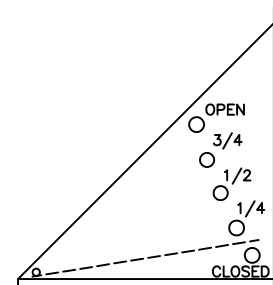
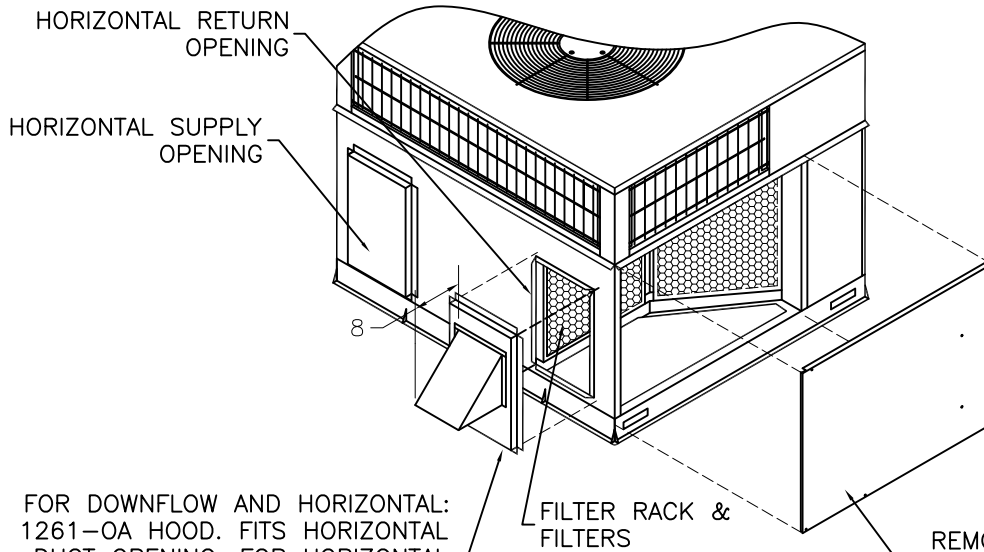
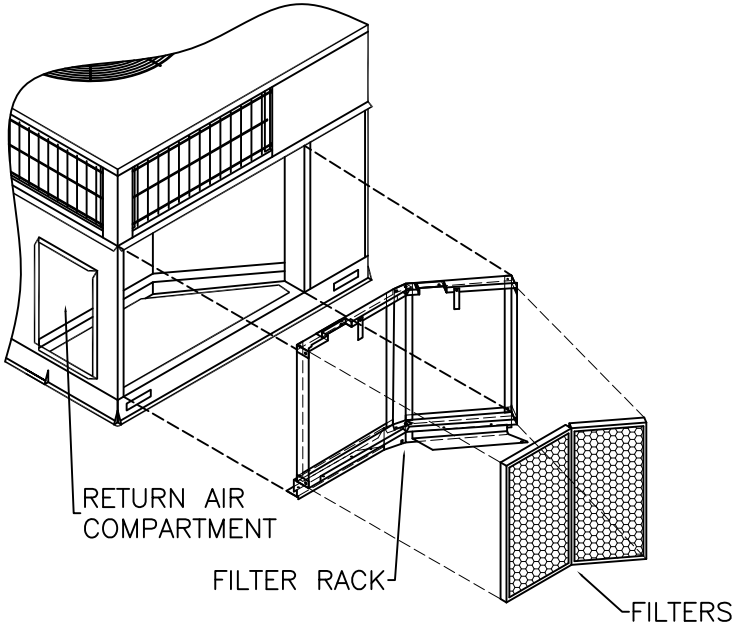


## 1261-0A OUTSIDE AIR INTAKE HOOD

PART NUMBER	SHIPPING WEIGHT	APPROXIMATE AIR VOLUME
1261-0A	16 LBS.	25%

### FEATURES

- OUTSIDE AIR INTAKE HOOD WITH BAROMETRIC BACKDRAFT DAMPER.
- HEAVY GAUGE GALVANIZED STEEL CONSTRUCTION.
- FILTER RACK SIZED FOR 1" OR 2" FILTERS [(2) 20x16x1 (NOMINAL) FILTERS PROVIDED].
- COLOR COORDINATED PAINT FINISH.
- FILTER RACK SHIPPED KNOCKED DOWN.



FOR DOWNFLOW AND HORIZONTAL: 1261-0A HOOD. FITS HORIZONTAL DUCT OPENING. FOR HORIZONTAL APPLICATION, MOUNT ON DUCT WORK OR ON END PANEL OF THE UNIT.

REMOVED ONLY TO INSTALL FILTER RACK AND/OR CHANGE FILTERS

DOC: 01-01

PROJECT:

DATE:

ENGINEER:

DISTRIBUTOR:

DRAWING NUMBER: