



CANNON FABRICATION INC

182 GRANITE STREET, SUITE 101, CORONA, CA 92879

PHONE: (951)278-1830 FAX: (951)278-8444 www.canfab.com canfab@canfab.com

CARRIER 3 - 5 TON

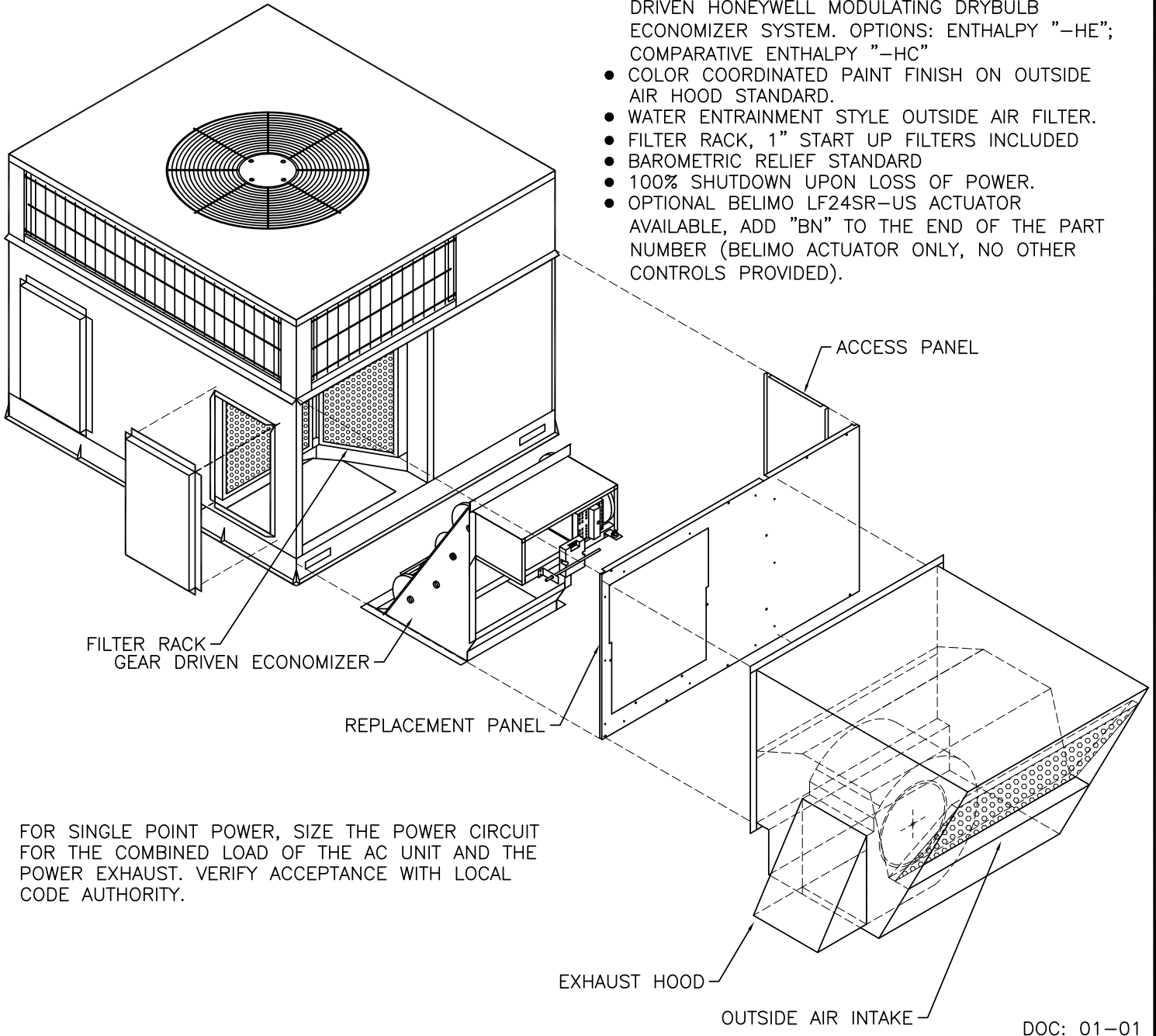
48/50 ES, EZ, 48/50VL-A 42-60, 48/50 VT-A, VG,
48/50VR, XL, XT-A 36-60

PART NO: SEE BELOW

DOWN DISCHARGE POWER EXHAUST ECONOMIZER

PART NUMBER	SHIPPING WEIGHT
1162-PE	207 LBS.

- CONSTANT VOLUME POWER EXHAUST WITH GEAR DRIVEN HONEYWELL MODULATING DRYBULB ECONOMIZER SYSTEM. OPTIONS: ENTHALPY "-HE"; COMPARATIVE ENTHALPY "-HC"
- COLOR COORDINATED PAINT FINISH ON OUTSIDE AIR HOOD STANDARD.
- WATER ENTRAINMENT STYLE OUTSIDE AIR FILTER.
- FILTER RACK, 1" START UP FILTERS INCLUDED
- BAROMETRIC RELIEF STANDARD
- 100% SHUTDOWN UPON LOSS OF POWER.
- OPTIONAL BELIMO LF24SR-US ACTUATOR AVAILABLE, ADD "BN" TO THE END OF THE PART NUMBER (BELIMO ACTUATOR ONLY, NO OTHER CONTROLS PROVIDED).



FOR SINGLE POINT POWER, SIZE THE POWER CIRCUIT FOR THE COMBINED LOAD OF THE AC UNIT AND THE POWER EXHAUST. VERIFY ACCEPTANCE WITH LOCAL CODE AUTHORITY.

DOC: 01-01

PROJECT:

DATE:

ENGINEER:

DISTRIBUTOR:

DRAWING NUMBER:



182 GRANITE STREET, SUITE 101, CORONA, CA 92879

PHONE: (951)278-1830 FAX: (951)278-8444 www.canfab.com canfab@canfab.com

CARRIER 3 - 5 TON

48/50 ES, EZ, 48/50VL-A 42-60, 48/50 VT-A, VG,
48/50VR, XL, XT-A 36-60

PART NO: SEE BELOW

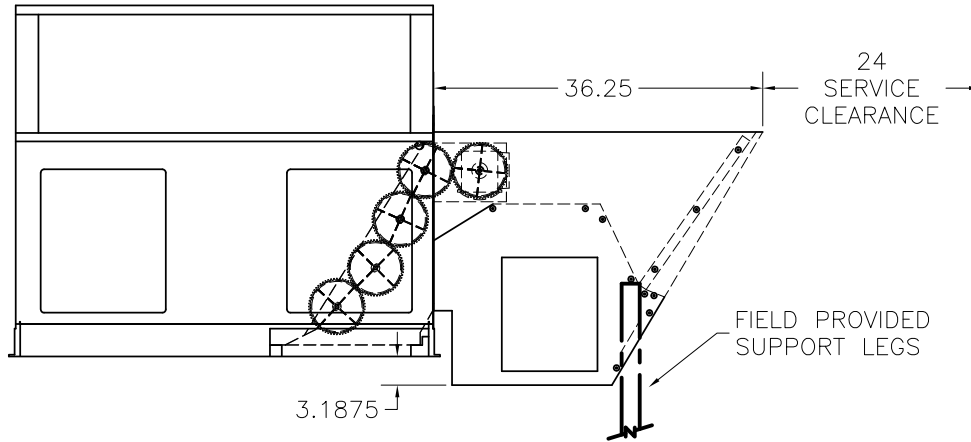
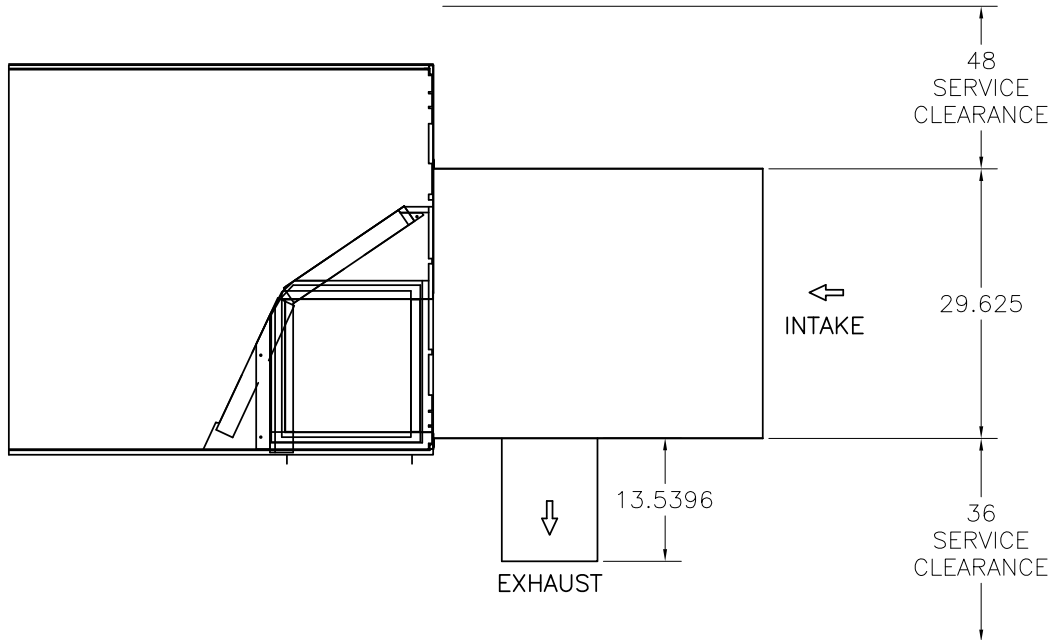
FAN MOTOR AND VFD ELECTRICAL DATA

HP	RPM	VOLTAGE	PHASE	FLA	MCA	MOCP
1	1750	208	1	6.8	8.5	15.3
		230		6.7	8.375	15.08
		208	3	3.5	4.38	7.88
		230		3.6	4.5	8.1
		460		1.8	2.25	4.05
		575		1.1	1.38	2.48



PERFORMANCE AND SOUND DATA

PERFORMANCE				OCTAVE BAND LEVELS HZ								
CFM	SP IN WG	RPM	Hz	63	125	250	500	1000	2000	4000	8000	
2000	.20	962	dB	92	92	82	75	77	70	65	60	
1800	.25	946		89	89	79	72	74	67	62	57	
1600	.30	938		86	86	76	69	71	64	59	54	
1400	.40	938		83	83	73	66	68	61	56	51	
1200	.50	945		82	82	72	65	67	60	55	50	



DOC: 01-02

PROJECT:

DATE:

ENGINEER:

DISTRIBUTOR:

DRAWING NUMBER: