



CANNON FABRICATION INC

182 GRANITE STREET, SUITE 101, CORONA, CA 92879

PHONE: (951)278-1830 FAX: (951)278-8444 www.canfab.com canfab@canfab.com

CARRIER 3 - 5 TON

48/50 ES, EZ, 48/50VL-A 42-60, 48/50 VT-A, VG,
48/50VR, XL, XT-A 36-60

PART NO: SEE BELOW

VIBRATION ISOLATION CURB

FEATURES

- ROOF CURB IS MIN 16 GA. GALVANIZED STEEL.
- SHIPPED FULLY WELDED AND ASSEMBLED.
- GASKET MATERIAL PROVIDED. MUST BE DOUBLED UP AROUND THE SUPPLY AND RETURN.
- FULL PERIMETER BASE CURB, WOOD NAILER, RAIL, FLASHING AND WATER AND AIR BARRIER.
- SPRING ISOLATION WITH 2" STATIC DEFLECTION AND EARTHQUAKE RESTRAINTS (OSHPD APPROVED).
- WEATHER TIGHT ACCESS DOORS AT EACH ISOLATOR LOCATION FOR ADJUSTMENT.
- OTHER AVAILABLE OPTIONS INCLUDE SINGLE PITCH AND COMPOUND PITCH.

SELECT PRODUCT

-
-
-
-
-
-

CANFAB PART #	BASE CURB HEIGHT	APPROXIMATE SHIPPING WEIGHT
1004A-IC08A	8"	240 LBS.
1004A-IC11A	11"	251 LBS.
1004A-IC14A	14"	262 LBS.
1004A-IC18A	18"	276 LBS.
1004A-IC24A	24"	324 LBS.
1004A-IC36A	36"	378 LBS.

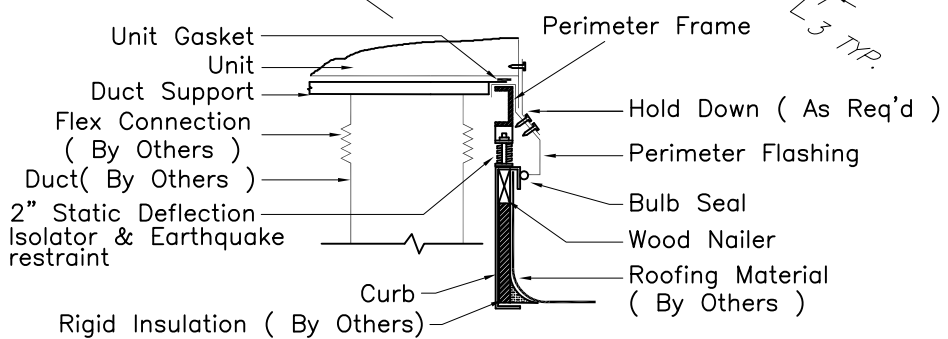
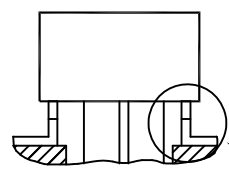
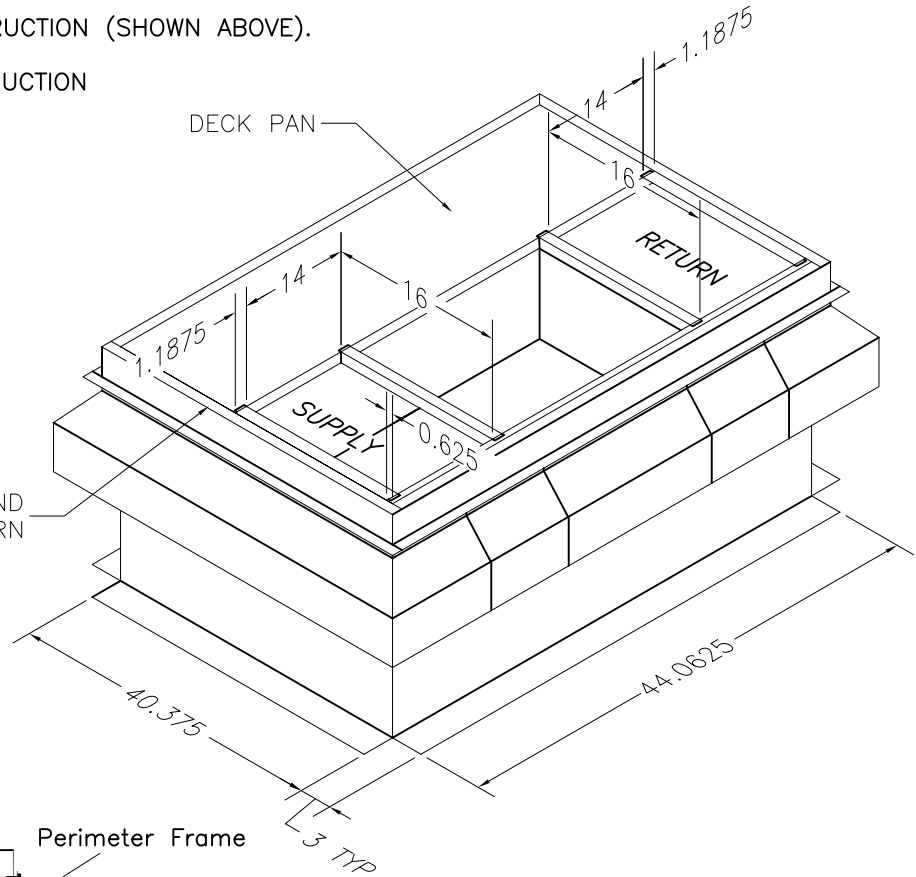
NOTE: FINISH HEIGHT IS 14.5" TALLER THAN BASE CURB HEIGHT.

SELECT CONSTRUCTION

- A=STANDARD WELDED CONSTRUCTION (SHOWN ABOVE).
- E=STANDARD WELDED CONSTRUCTION EXTERNALLY INSULATED.
- C=CUSTOM CONSTRUCTION.

SELECT IF PITCHED (INCLUDE PITCH ORIENTATION FORM)

- PITCHED



PROJECT: _____ DATE: _____

ENGINEER: _____ DISTRIBUTOR: _____

DRAWING NUMBER: _____