

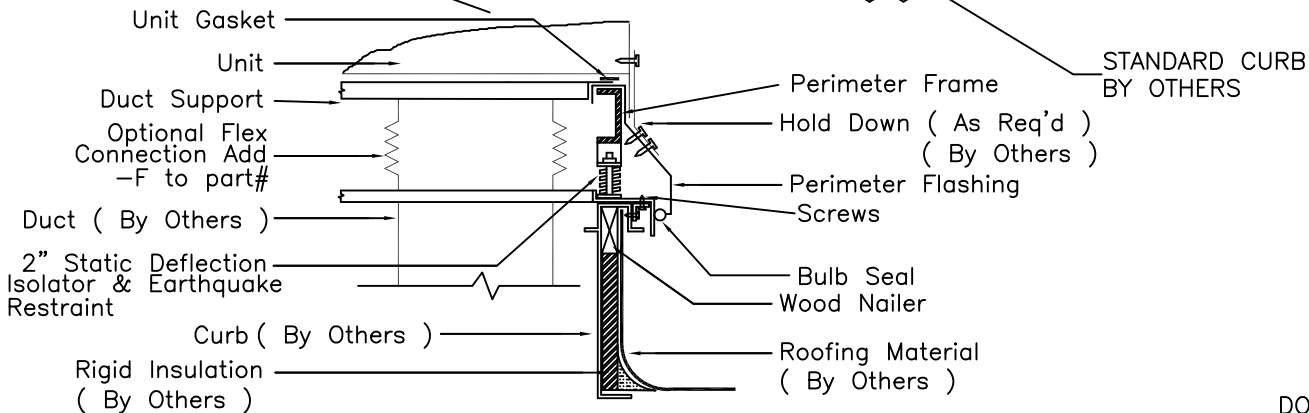
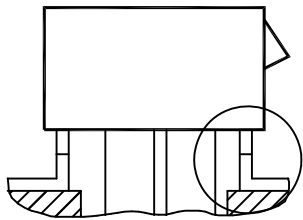
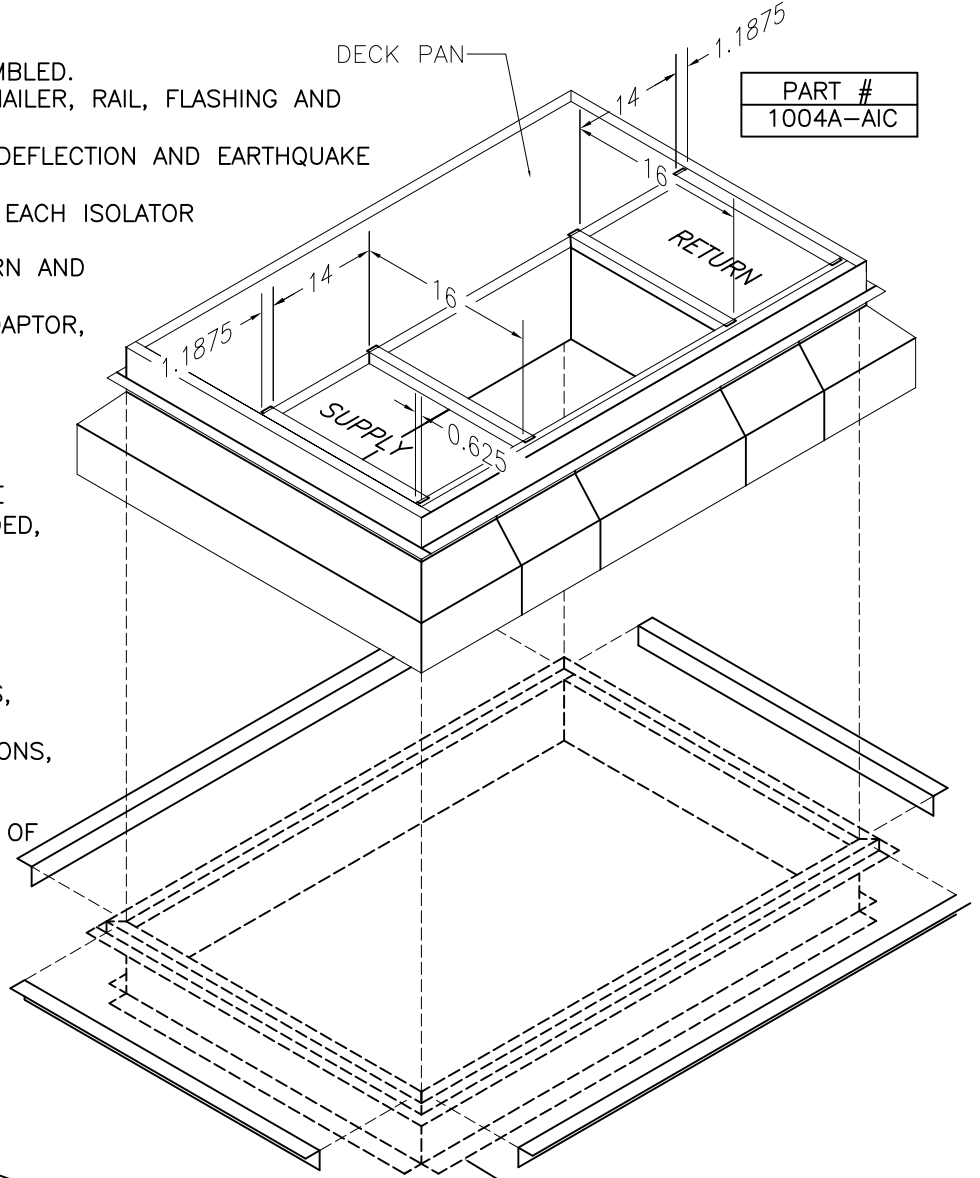
VIBRATION ISOLATION ADAPTOR FOR USE WITH STANDARD CURB

FEATURES

- 1 - SHIPPED FULLY WELDED AND ASSEMBLED.
- 2 - FULL PERIMETER ADAPTOR, WOOD NAILER, RAIL, FLASHING AND WATER AND AIR BARRIER.
- 3 - SPRING ISOLATION WITH 2" STATIC DEFLECTION AND EARTHQUAKE RESTRAINTS (OSHPD APPROVED).
- 4 - WEATHER TIGHT ACCESS DOORS AT EACH ISOLATOR LOCATION FOR ADJUSTMENT.
- 5 - FLEX DUCT CONNECTIONS AT RETURN AND SUPPLY OPENINGS PROVIDED.
- 6 - TOTAL HEIGHT IS 15", INCLUDES ADAPTOR, ISOLATOR & RAIL.

INSTALLATION

- 1 - ATTACH ANGLES AROUND PERIMETER FLUSH WITH TOP OF CURB. SECURE WITH #10X.75 TEK SCREWS, PROVIDED, ON APPROXIMATELY 12" CENTERS.
- 2 - INSTALL GASKET PROVIDED WITH EXISTING CURB.
- 3 - PLACE ADAPTOR ON TOP OF EXISTING CURB.
- 4 - SECURE WITH #10X.75 TEK SCREWS, PROVIDED, ON APPROXIMATELY 12" CENTERS AVOIDING ISOLATOR POSITIONS, UP FROM BOTTOM THROUGH NEW ANGLES INTO ADAPTOR.
- 5 - INSTALL GASKET PROVIDED ON TOP OF ADAPTOR.
- 6 - SET UNIT AND ANCHOR PER JOB REQUIREMENTS.



DOC: 01-03

PROJECT:

DATE:

ENGINEER:

DISTRIBUTOR:

DRAWING NUMBER: