



182 GRANITE STREET, SUITE 101, CORONA, CA 92879

PHONE: (951)278-1830 FAX: (951)278-8444 www.canfab.com canfab@canfab.com

CARRIER 3 - 5 TON

48/50 ES, EZ, 48/50VL-A 42-60, 48/50 VT-A, VG,
48/50VR, XL, XT-A 36-60

PART NO: SEE BELOW

ADJUSTABLE PITCH ROOF CURB

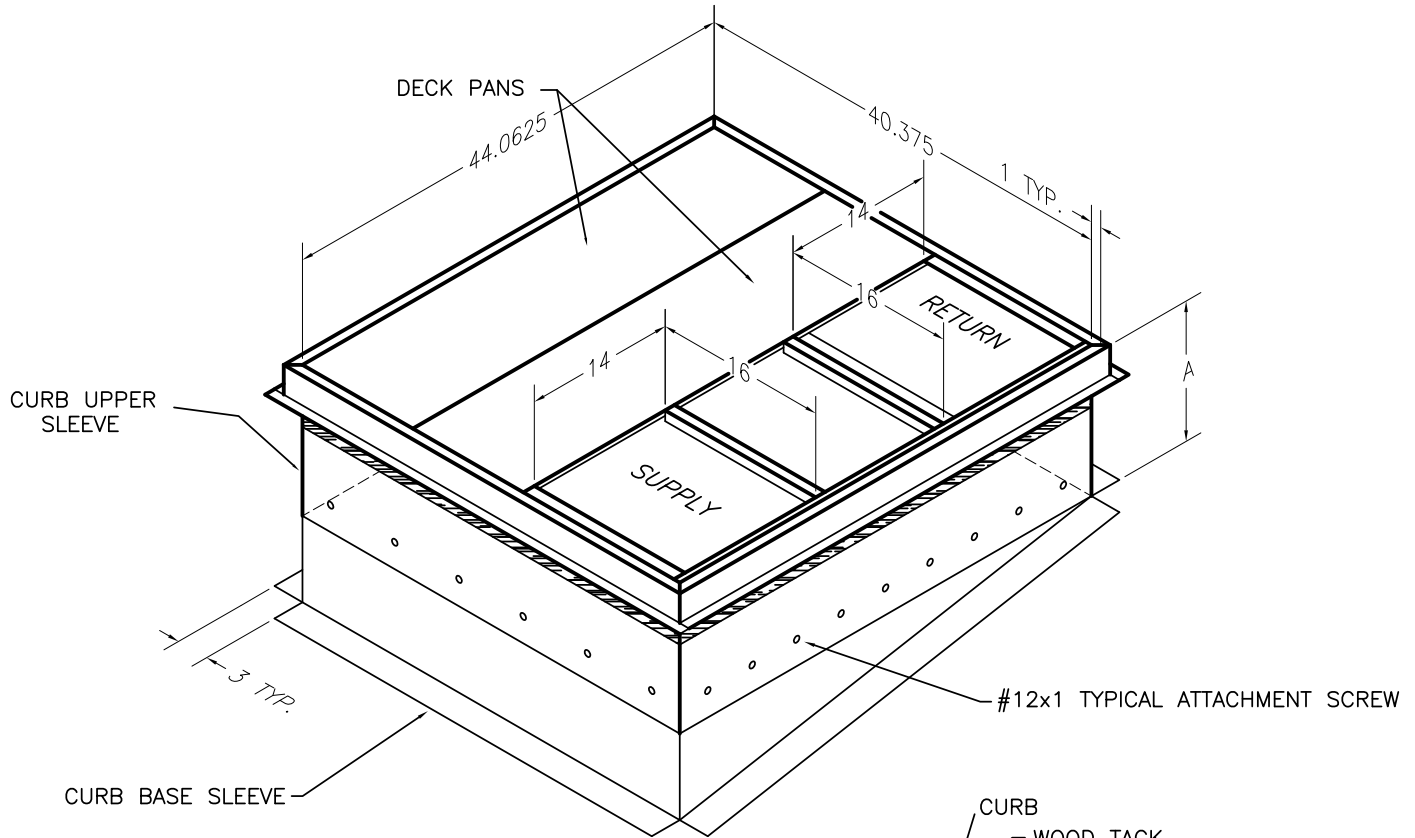
SELECT PRODUCT

-
-
-

CANFAB PART#	CURB STARTING HEIGHT	APPROXIMATE SHIPPING WEIGHTS
1003A-CB08*-G	08"	99
1003A-CB11*-G	11"	106
1003A-CB14*-G	14"	112

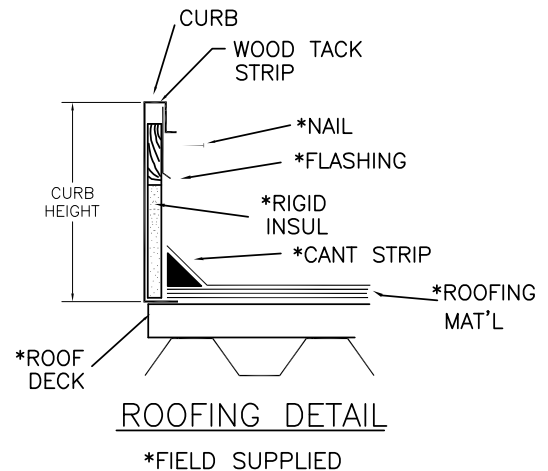
SELECT CONSTRUCTION = *

- F = FINGERLOCK GALVANIZED STEEL CONSTRUCTION (AVAILABLE ON 08", 11" AND 14" MODELS).
- W = WELDED CONSTRUCTION.



FEATURES

- ROOF CURB IS GALVANIZED STEEL.
- MAXIMUM 1" IN 12" PITCH ADJUSTABLE IN ANY DIRECTION.
- GASKET MATERIAL AND ASSEMBLY HARDWARE INCLUDED.
- CLOSED TOP CORNERS.
- SHIPPED KNOCKED DOWN UNLESS WELDED.



PROJECT:

DATE:

ENGINEER:

DISTRIBUTOR:

DRAWING NUMBER: