

« PRODUCT BULLETIN »

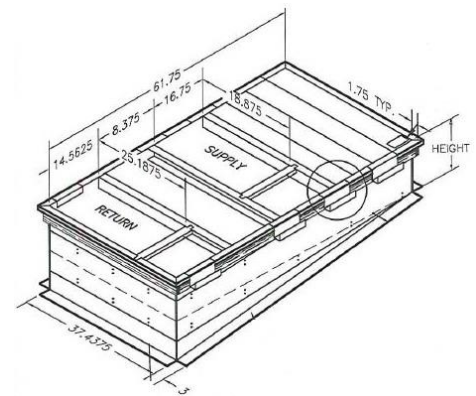
DATE: September 4, 2018 **BB#: CF-T-PB0918-01**
TO: All CanFab Trane Customers
FROM: David Cole, Director of Sales & Marketing
SUBJECT: Structurally Calculated Adjustable Pitch Curbs

STRUCTURALLY CALCULATED ADJUSTABLE PITCH CURBS NOW AVAILABLE FROM CANFAB!

CanFab is pleased to announce the availability of Structurally Calculated Adjustable Pitch Curbs.

Product features include:

- Calculated for seismic and wind loads
- Single direction roof pitch with max. 1:12 slope (width or length)
- 11" or 14" base heights
- Corresponding calculated hold down clips
- Submittals with roof attachment instructions (wood, steel, concrete)
- Submittals with hold down clip location detail
- Shipped complete with gasket for unit attachment
- 16-gauge galvanized steel construction



Model Number	Configuration	Application
6047-CB11F-CBCG	Finger Lock	(1.5-3 IMPACK)
6047-CB14F-CBCG	Finger Lock	(1.5-3 IMPACK)
6049-CB11F-CBCG	Finger Lock	(3.5-5 IMPACK)
6049-CB14F-CBCG	Finger Lock	(3.5-5 IMPACK)
6037-CB11F-CBCG	Finger Lock	(3-5 Precedent)
6037-CB14F-CBCG	Finger Lock	(3-5 Precedent)
6041-CB11F-CBCG	Finger Lock	(4-10 Precedent)
6041-CB14F-CBCG	Finger Lock	(4-10 Precedent)
6041S-CB11F-CBCG	Finger Lock	(7.5-10 Precedent)
6041S-CB14F-CBCG	Finger Lock	(7.5-10 Precedent)
6047-CB11W-CBCG	Welded	(1.5-3 IMPACK)
6047-CB14W-CBCG	Welded	(1.5-3 IMPACK)
6049-CB11W-CBCG	Welded	(3.5-5 IMPACK)
6049-CB14W-CBCG	Welded	(3.5-5 IMPACK)
6037-CB11W-CBCG	Welded	(3-5 Precedent)
6037-CB14W-CBCG	Welded	(3-5 Precedent)
6041-CB11W-CBCG	Welded	(4-10 Precedent)
6041-CB14W-CBCG	Welded	(4-10 Precedent)
6041S-CB11W-CBCG	Welded	(7.5-10 Precedent)
6041S-CB14W-CBCG	Welded	(7.5-10 Precedent)

These items are available now from CanFab and can be found on our website quoting tool at www.CanFab.com (must be logged in and have access to Trane lines... for login and/or access to CanFab accessories for Trane, contact Dave Cole at dave@CanFab.com).