

8410 SERIES MIXING BOXES "THE VERSA-AIRE"

FEATURES

- FOR SINGLE OR 2 SPEED INDOOR FAN UNITS, OTHER CONTROL OPTIONS ARE AVAILABLE
- FULL INTERNAL INSULATION.
- FACTORY MOUNTED CONTROLS
- HONEYWELL JADE W7220 ECONOMIZER CONTROL SYSTEM, CERTIFIED FDD PRODUCT CALIFORNIA TITLE 24, PART 6 HJW10
- LINKAGE IS SHAKE PROOF SWEDGELOCK PLATED STEEL ASSEMBLY CONCEALED OUT OF AIRSTREAM
- EXCLUSIVE ONE PIECE AERODYNAMIC DUAL SKIN AIRFOIL BLADES ARE SUITABLE FOR MEDIUM AND HIGH PRESSURE VELOCITY APPLICATIONS
- CONFIGURABLE DAMPERS, MULTIPLE LOCATION CAN BE OUTSIDE AIR OR RETURN AIR



**AMCA RATED CLASS 1A
LEAKAGE RATED HIGH
PERFORMANCE DAMPER
ONE-PIECE AIRFOIL BLADE
FOR LOW PRESSURE DROP**

NOTES:

1. RELIEF DAMPER IS NOT SUPPLIED STANDARD BUT IS REQUIRED FOR CA, TITLE 24. THIS CAN BE FIELD SUPPLIED AND INSTALLED, OR AS AN OPTION
2. MOTORIZED, LOW LEAK (4CFM) RELIEF DAMPER IS NOT SUPPLIED STANDARD, BUT IS REQUIRED IF RELIEF IS REQUESTED IN WA JURISDICTION, FOR WASHINGTON ENERGY CODE THIS CAN BE FIELD SUPPLIED, AND INSTALLED, OR AS AN OPTION



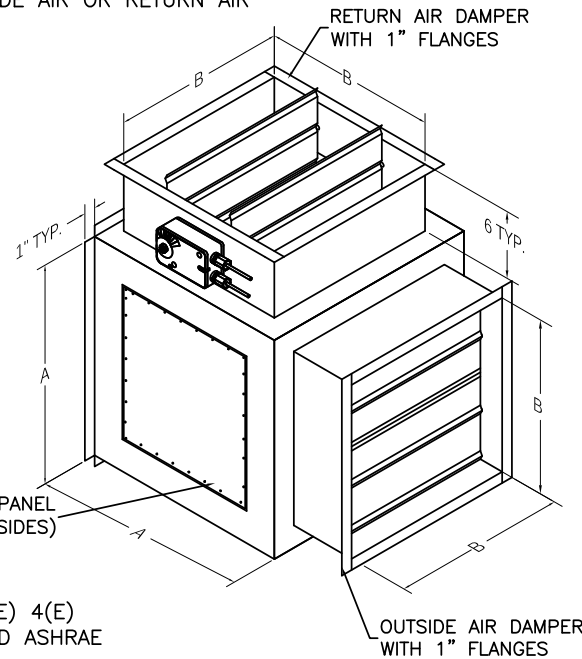
ECONOMIZERS MEET TITLE 24, 2013 PRESCRIPTIVE SECTION 140.4(E) 4(E) (A,B,C,AND,H), D,E,F, AND G WHEN SUPPLIED WITH CONTROLS, AND ASHRAE STANDARD 90.1-2010, TABLE

6.4.3.4.4 REQUIREMENTS. 5 YEAR PARTS AND COMPONENTS WARRANTY. DAMPER LIFE CYCLE TESTING AND LEAKAGE, RELIEF, SENSOR SET POINT, RELIABILITY, CALIBRATION, AND HIGH LIMIT.

ECONOMIZERS MEET TITLE 24, 2013, MANDATORY SECTION 120.2 ECONOMIZER FAULT AND DETECTION DIAGNOSTIC REQUIREMENTS, WHEN SUPPLIED WITH CONTROLS.

ECONOMIZERS MEET 2012 WASHINGTON STATE ENERGY CODE, COMMERCIAL, SECTION C402.4.5.2 OUTDOOR AIR INTAKES AND EXHAUSTS.

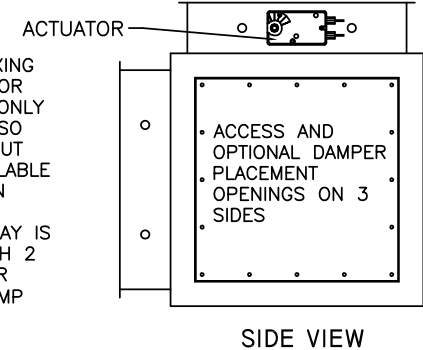
OUTSIDE AIR, RETURN AIR AND, EXHAUST/RELIEF DAMPER (MOTORIZED AND 4 CFM/SQFT @ 1" STATIC OR LESS LEAKAGE)



VELOCITIES					
DAMPERS		800 CFM	1200 CFM	1600 CFM	2000 CFM
MB01	12X12	800 FPM	1200 FPM	1600 FPM	2000 FPM
MB02	15X15	513 FPM	769 FPM	1026 FPM	1282 FPM
MB03	18X18	356 FPM	533 FPM	711 FPM	889 FPM

NOTE:

1. STANDARD MIXING BOXES ARE FOR INDOOR USE ONLY AND ARE ALSO GALVANIZED BUT PAINT IS AVAILABLE AS AN OPTION
2. OPTIONAL RELAY IS REQUIRED WITH 2 SPEED INDOOR FAN/HEAT PUMP



CONTROL OPTIONS	
<input type="checkbox"/> CDE	HONEYWELL COMMUNICATING ACTUATOR W/ DRY BULB CONTROLS
<input type="checkbox"/> CEE	HONEYWELL COMMUNICATING ACTUATOR W/ ENTHALPY CONTROLS
<input type="checkbox"/> CBE	HONEYWELL COMMUNICATING ACTUATOR W/ DIFFERENTIAL ADJUSTABLE DRY BULB CONTROLS
<input type="checkbox"/> CCE	HONEYWELL COMMUNICATING ACTUATOR W/ DIFFERENTIAL ENTHALPY CONTROLS
<input type="checkbox"/> CNN	HONEYWELL COMMUNICATING ACTUATOR W/ FEEDBACK

PART NUMBER	A	B	CFM	WEIGHT(LBS)
8410-MB01-TP-BK-###	16.5	12	1000	38
8410-MB02-TP-BK-###	19.5	15	1500	58
8410-MB03-TP-BK-###	23.5	18	2000	70



182 GRANITE STREET, SUITE 101, CORONA, CA 92879

PHONE: (951)278-1830 FAX: (951)278-8444 www.canfab.com canfab@canfab.com

FOR: 8410 SERIES MIXING BOX

PART NO:

PROJECT:

ENGINEER: DC

DISTRIBUTOR:

DRAWING NO: 8410MB.DWG

DC/JM

10.06.17

DATE:

APPROVED BY:

DATE: / /